

# Gooch & Housego



## Fibre-Q

### 1550nm Fibre-Coupled Acousto-Optic Modulator (Low Power Consumption)

T-M080-0.5C8J-3-F2S

Gooch & Housego specialise in providing optical components for high power fibre laser and amplifier systems. In-house control of critical manufacturing processes, from crystalline material selection and orientation, cutting, polishing and AR coating through to fibre coupling, ensure our components are of the highest optical quality.

The T-M080-0.5C8J-3-F2S Acousto-Optic Modulator is designed for use as an 80MHz frequency shifter for heterodyne interferometry or as an intensity modulator.

In addition to the standard product shown, custom configurations are available for specialised applications.

#### Key Features:

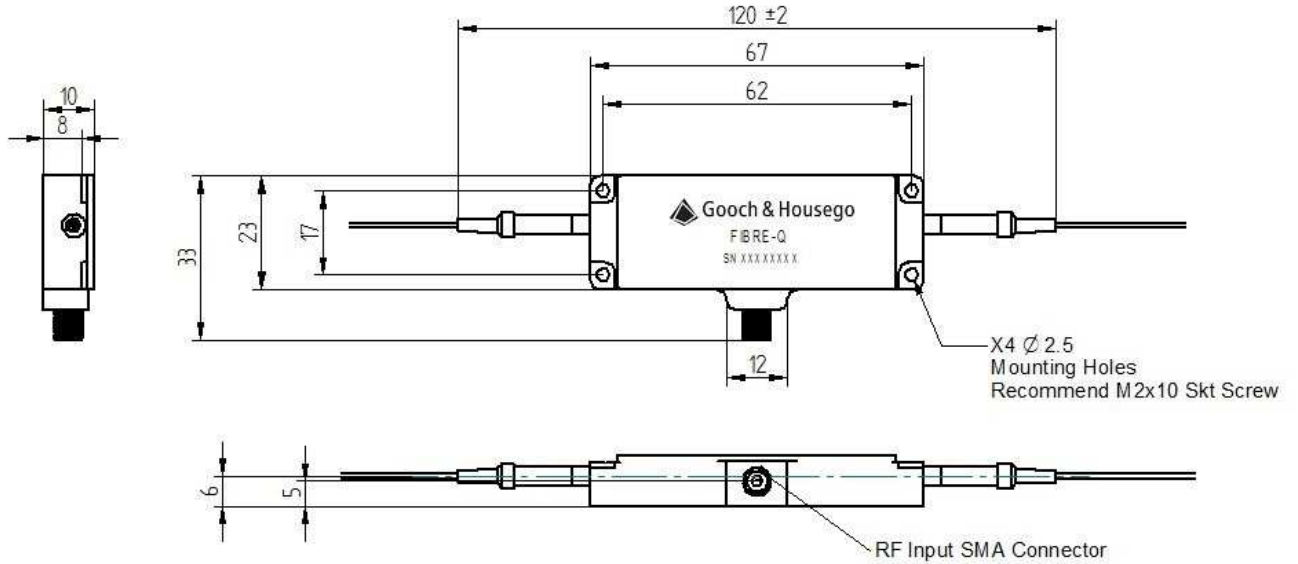
- Low insertion loss
- Compact, low profile package
- Rugged hermetic design
- Stable performance
- Low Power Consumption
- Custom configurations available

#### Applications:

- Sensing (heterodyne interferometry)
- Intensity modulation

## General Specifications

Parameter	Unit	Min	Max	Typical	Comments
Interaction material:	-	-	-	-	Amfir
Wavelength:	nm	1530	1565	1550	Other wavelengths available on request
Average optical power handling:	W	-	1	-	
Peak (pulse) optical power handling:	kW	-	1	-	Dependent on pulse width
Insertion loss:	dB	-	2.5	-	
Polarisation Dependant Loss (RF-ON)	dB	-	0.1	-	
Extinction ratio (1 <sup>st</sup> order on / off)	dB	50	-	-	
Return Loss (RF ON/OFF)	dB	40	-	-	
Rise-time / fall-time: (10% - 90%)	ns	-	100	70	
Frequency:	MHz	-	-	80	
VSWR:		-	1.5:1	-	
Input impedance:	$\Omega$	-	-	50	
RF power:	W	-	0.4	0.3	Absolute maximum rating. Higher power will cause damage.
Frequency shift:	MHz	-	-	80	Upshift
Fibre type:	-	-	-	-	SMF28
Fibre length	m	1.5	-	-	900 $\mu$ m PVDF sleeving
Fibre termination:	-	-	-	-	Bare



General Tolerance : ± 1mm

Please send your specifications to [sales@goochandhousego.com](mailto:sales@goochandhousego.com) or contact your local sales representative to discuss your requirements.