

Gooch & Housego



PM Fibre-Q

Polarisation Maintaining 1550nm Fibre-Coupled Acousto-Optic Modulator (Low Power Consumption)

T-M080-0.5C8J-3-F2P

Gooch & Housego specialise in providing optical components for high power fibre laser and amplifier systems. In-house control of critical manufacturing processes, from crystalline material selection and orientation, cutting, polishing and AR coating through to fibre coupling, ensure our components are of the highest optical quality.

The T-M080-0.5C8J-3-F2P Acousto-Optic Modulator is designed for use as an 80MHz frequency shifter for heterodyne interferometry or as an intensity modulator.

In addition to the standard product shown, custom configurations are available for specialised applications.

Key Features:

- Low insertion loss
- Compact, low profile package
- Rugged hermetic design
- Stable performance
- Low Power Consumption
- Custom configurations available

Applications:

- Sensing (heterodyne interferometry)
- Intensity modulation

General Specifications

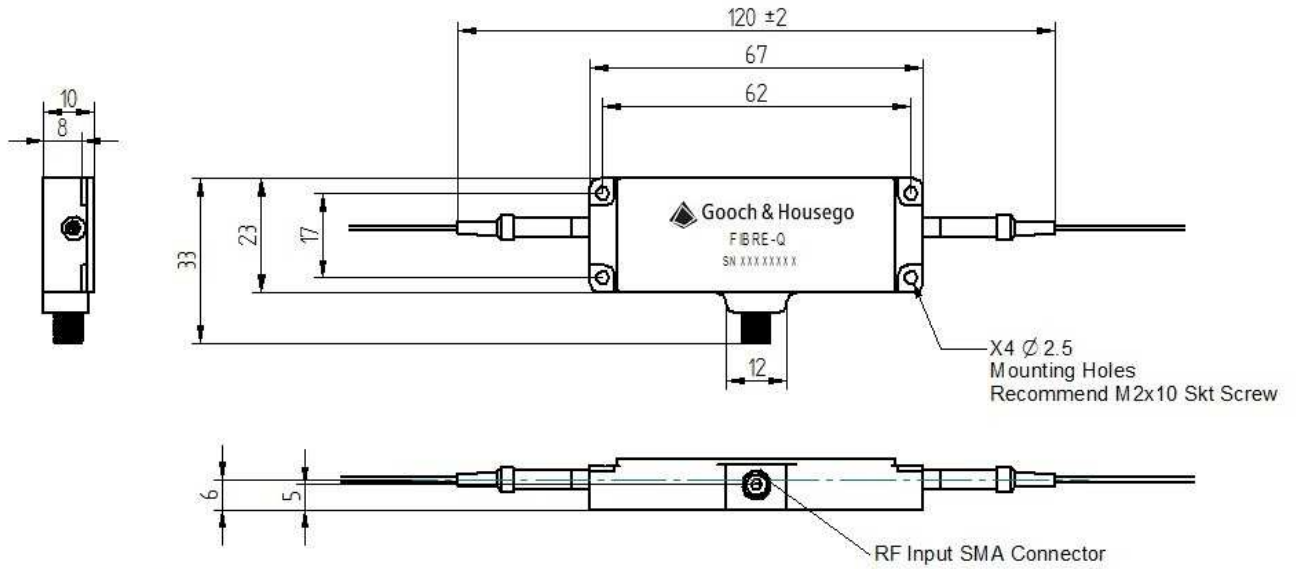
Parameter	Unit	Min	Max	Typical	Comments
Interaction material:	-	-	-	-	Amtir
Wavelength:	nm	1530	1565	1550	Other wavelengths available on request
Average optical power handling:	W	-	1	-	
Peak (pulse) optical power handling:	kW	-	1	-	Dependent on pulse width
Insertion loss:	dB	-	2.5	-	
Polarisation Extinction ratio	dB	18	-	-	
Extinction ratio (1 st order on / off)	dB	50	-	-	
Return Loss (RF ON/OFF)	dB	40	-	-	
Rise-time / fall-time: (10% - 90%)	ns	-	100	70	
Frequency:	MHz	-	-	80	
VSWR:		-	1.5:1	-	
Input impedance:	Ω	-	-	50	
RF power:	W	-	0.4	0.3	Absolute maximum rating. Higher power will cause damage.
Frequency shift:	MHz	-	-	80	Upshift
Fibre type:	-	-	-	-	Fujikura PM1550 (SM15-PS-U25A)
Fibre length	m	1.5	-	-	900 μ m PVDF sleeving
Fibre termination:	-	-	-	-	Bare

Contact: Sales@goochandhousego.com

www.goochandhousego.com

PEC 0174 Issue 1
G&H Ref: 30178145

As part of our policy of continuous product improvement we reserve the right to change specifications at any time



General Tolerance : ± 1mm

Please send your specifications to sales@goochandhousego.com or contact your local sales representative to discuss your requirements.