



OCT FIBER COLLIMATOR

Single Mode

DATASHEET

A range of non-contact style, single mode, fiber collimators incorporating achromatic lenses.

Anti-reflection coatings are employed to minimize back reflections. G&H's proprietary alignment and assembly processes produce a beam having low pointing error that is stable over a wide range of environmental conditions.

G&H OCT Fiber Collimators are manufactured to high opto-mechanical tolerances to enable simple incorporation into production line processes.



Key Features

- Low pointing error
- Low back reflection
- Low divergence
- Custom configurations available
- High opto-mechanical tolerances
- Can be integrated with OCT couplers
- Also available at 1060nm and 1300nm

Associated Documentation

- OCT coupler 1060nm
- OCT coupler 850nm and 1300nm
- OCT coupler Ultra-wideband
- OCT coupler application note

Example Optical Specifications 840 nm

2 mm Diameter Beam Collimator

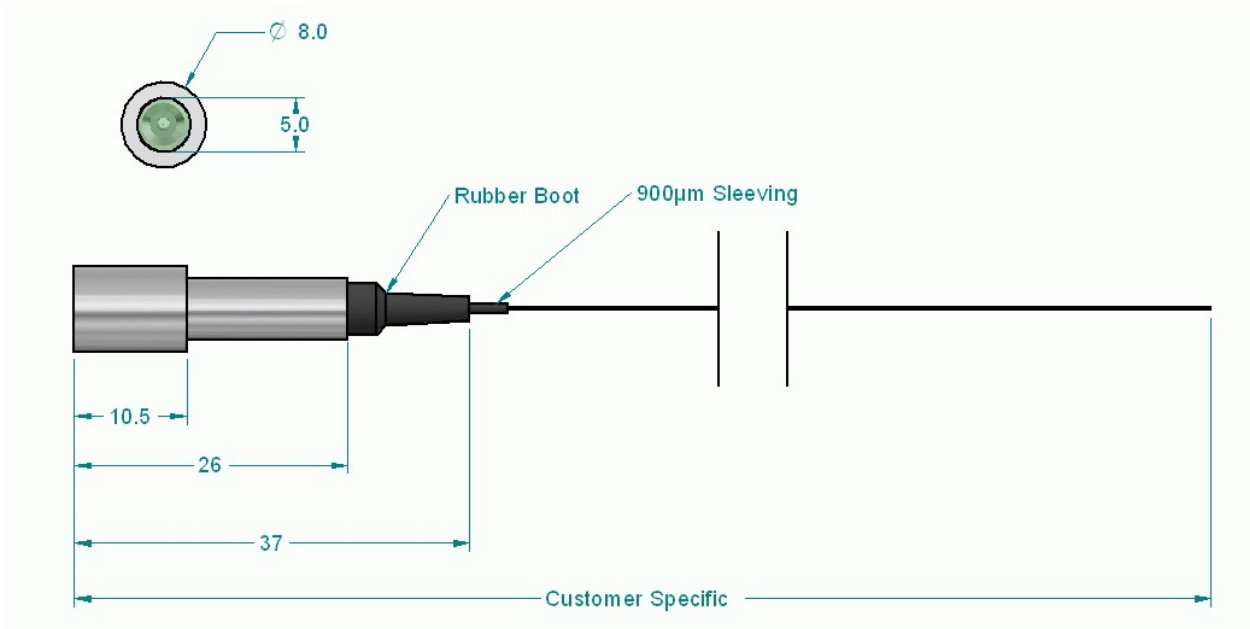
Parameter	Specification
Lens focal	10.00 mm \pm 0.5%
Operating wavelength	840 nm nominal
Lens AR coating	<1% reflection at 800-900 nm
Lens diameter	5 mm
Beam diameter ($1/e^2$)	2.1 mm
Beam centering	<1 mrad
Beam focusing	>20 m
Mechanical OD	8 mm (-0.01 mm \sim -0.02 mm)
Fiber	Nufern 780-HP

3mm Diameter Beam Collimator

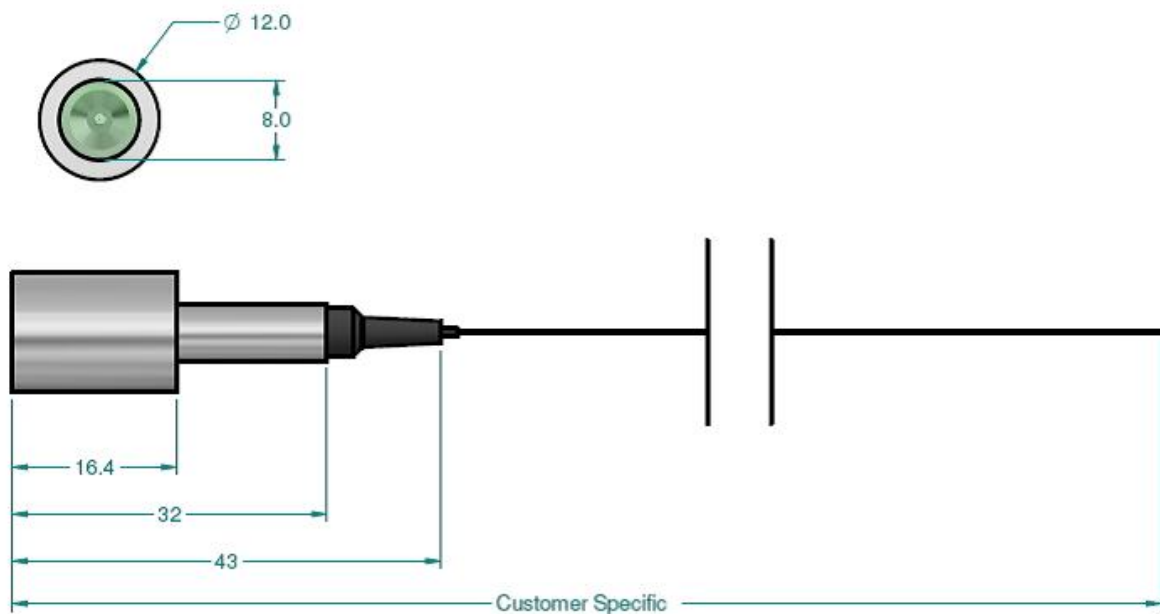
Lens focal distance	16.38 mm \pm 0.5%
Operating wavelength	840 nm nominal
Lens AR coating	<1% reflection at 800-900 nm
Lens diameter	8 mm
Beam diameter ($1/e^2$)	3.2 mm
Beam centering	<1 mrad
Beam focusing	>20 m
Mechanical OD	12 mm (-0.01 mm \sim -0.02 mm)
Fiber	Nufern 780-HP

Mechanical Specifications

2 mm Diameter Beam Collimator



3 mm Diameter Beam Collimator



For further information

E: torquaysales@goochandhousego.com

goochandhousego.com